

Double Balanced Mixer

Model MM134xG-1

Ultra-Broadband

RF 1.5 to 26.5 GHz

Electrical Specifications:⁽¹⁾

Parameter	Conditions			Specifications		
	RF (GHz)	LO (GHz)	IF (MHz)	Min	Typical	Max
SSB Conversion loss: ^{(2) (3)}	2.0-26.5	2.0-26.5	DC-500		7.5 dB	9.5 dB
	1.5-26.5	1.5-26.5	DC-700		8.5 dB	10.0 dB
	1.5-26.5	1.5-26.5	DC-1250		9.5 dB	11.5 dB
Third LO Harmonic Conversion Loss: ^{(2) (3)}	6.0-20.0	2.0-6.5	DC-500		17.5 dB	22 dB
	6.0-20.0	2.0-6.5	DC-700		18.5 dB	23 dB
	6.0-20.0	2.0-6.5	DC-1250		19.5 dB	24 dB
	20.0-26.5	6.5-9.0	DC-1250		30.0 dB	33 dB
Isolation	LO to RF:	1.5-3.0		18 dB	25 dB	
		3.0-26.5		20 dB	30 dB	
	LO to IF:	1.5-4.0		18 dB	25 dB	
		4.0-18.0		20 dB	35 dB	
	RF to IF:	1.5-4.0			23 dB	
		4.0-26.5			35 dB	
Input 1-dB Compression Point:	1.5-26.5	1.5-26.5	DC-1250		+3 dBm	
Input Third Order Intercept Point:	1.5-26.5	1.5-26.5	DC-1250		+12 dBm	
LO Power: ⁽⁴⁾	1.5-26.5	1.5-26.5	DC-1250		+9 dBm	

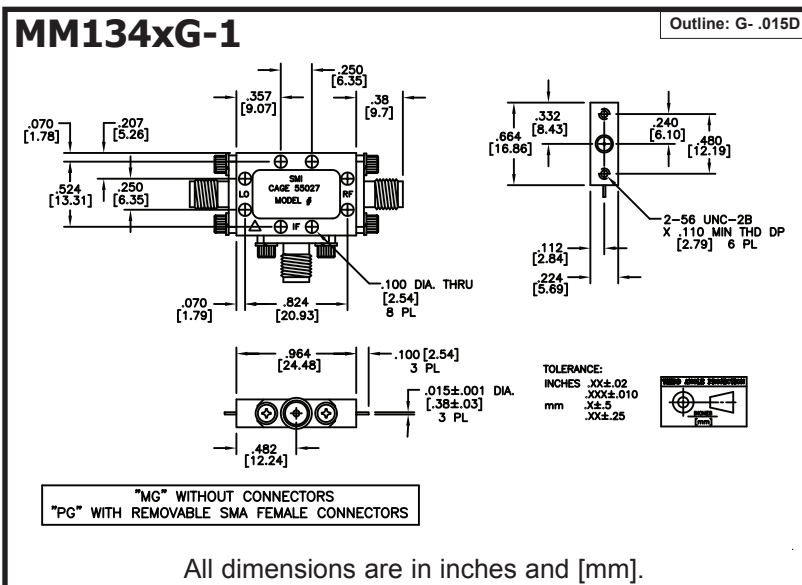
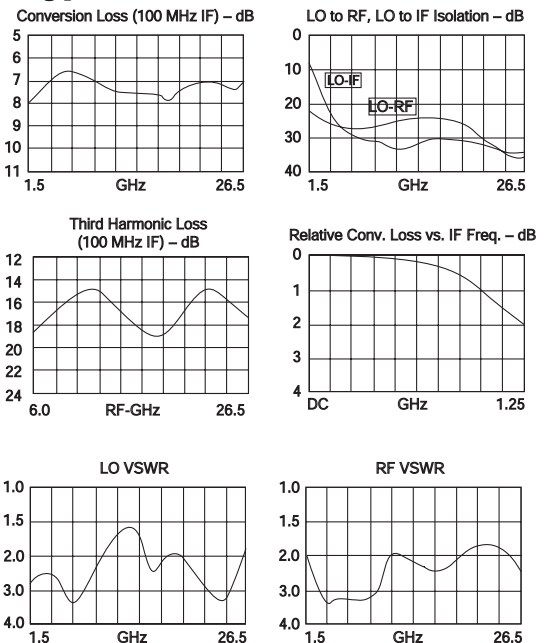
Model MM134xG-1

Drop-In
Module or With
SMA(F) Connectors
M = Module
P = With Connectors

Notes:

- Specifications are guaranteed when tested as a downconverter in a 50 Ohm system at +25 °C with the nominal LO power. Specifications indicated as typical are not guaranteed.
- Noise figure is typically within ±0.5 dB of conversion loss for IF frequencies greater than 10 MHz.
- Conversion loss typically degrades less than 0.5 dB at +100 °C and improves less than 0.5 dB at -55 °C.
- Usable LO drives are up to 2 dB below and 3 dB above nominal.

Typical Performance at 25°C



Spectrum Microwave · 2144 Franklin Drive N.E. · Palm Bay, FL 32905 · PH (888) 553-7531 · Fax (888) 553-7532

www.SpectrumMicrowave.com Spectrum Microwave · 2707 Black Lake Place · Philadelphia, PA 19154 · PH (215) 464-4000 · Fax (215) 464-4001

REV C
5/20/10