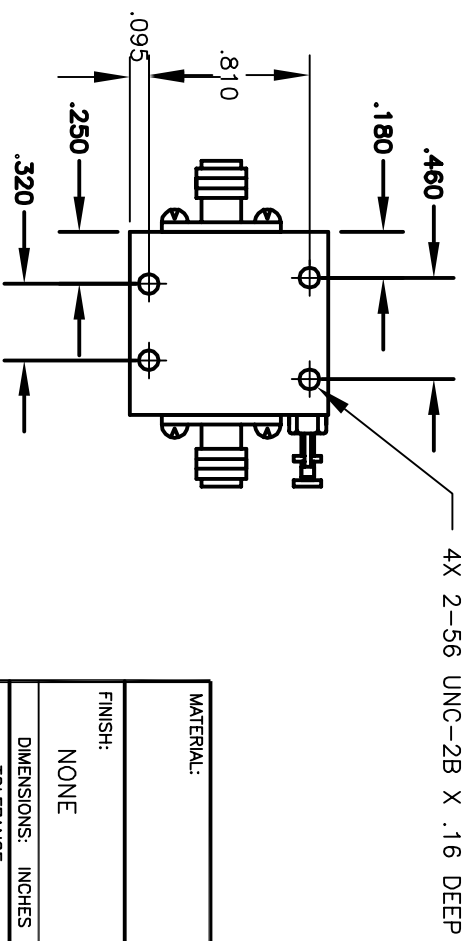
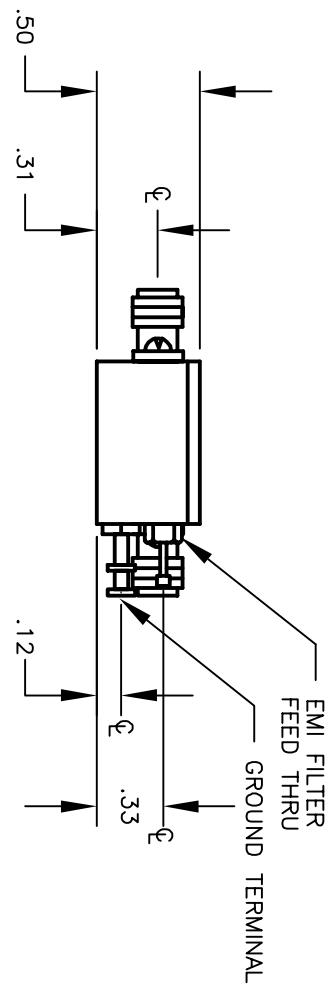
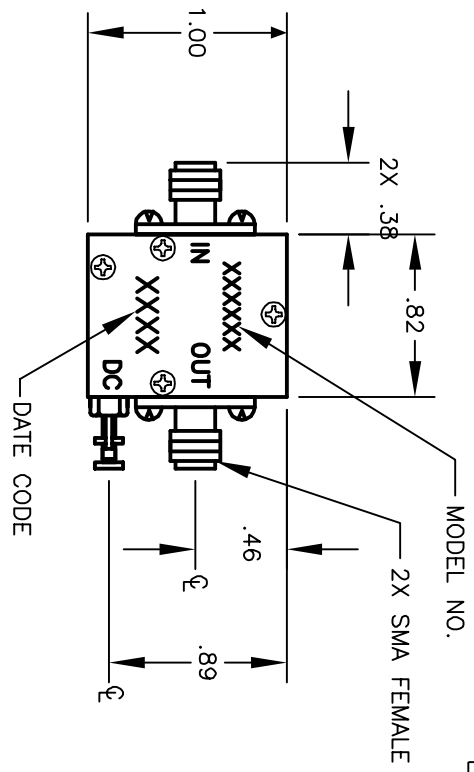


# OTL\_H1

## REVISIONS

REV	DESCRIPTION	DATE	APPROVED
--	ECN 10906, RELEASE	8/15/01	RA 8/15/01
A	ECN 11151, DIM UPDATE	12/12/01	RA 12/12/01



### CAUTION

THIS ASSEMBLY CONTAINS PARTS SENSITIVE TO DAMAGE BY ELECTRO-STATIC DISCHARGE (ESD). USE ESD PRECAUTIONARY PROCEDURES WHEN TOUCHING, REMOVING OR INSERTING.



MATERIAL:		DRAWN		DATE	
NONE		ADAM SIDLE		8/15/01	
FINISH:		CHECKED		DATE	
NONE		ENGINEERING		8/15/01	
DIMENSIONS: INCHES		MANUFACTURING		DATE	
TOLERANCE		QUALITY		DATE	
.XX +/- .01		RA		8/15/01	
.XXX +/- .005		SIZE		FSCM NO.	
.X DEG.		A		60979	
		DWG NO.		OTL2310XXXX	
		K:\ENGINEER\ACL\TWIN\OTL\OTL_H1		SHEET 1 OF 1	



PHILADELPHIA OPERATIONS  
2707 BLACK LAKE PLACE  
PHILADELPHIA PA 19154 (USA)

## OUTLINE DRAWING H1 PACKAGE