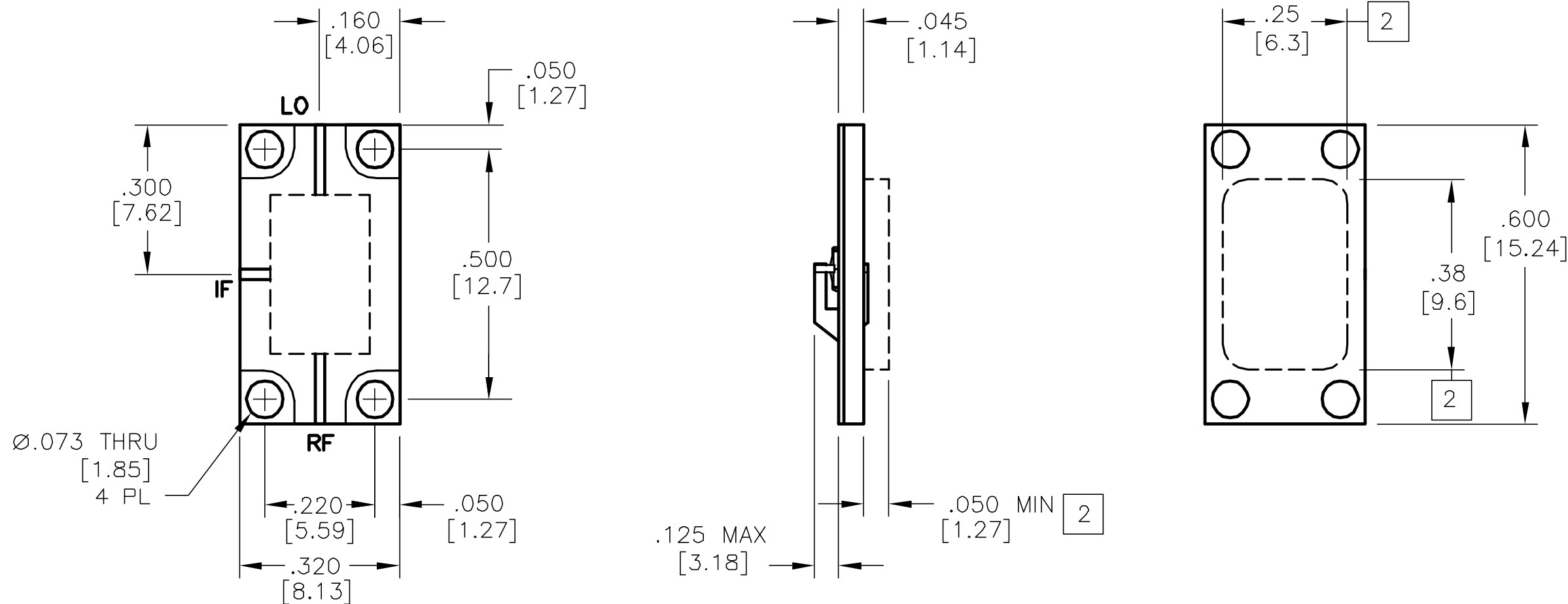
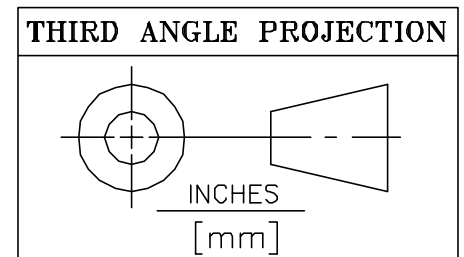


REVISIONS			
REV.	DESCRIPTION	DATE	APPROVALS
A	AS ISSUED	11/3/99	VT/



TOLERANCE:  
 INCHES .XX±.02  
 .XXX±.010  
 mm .X±.5  
 .XX±.25




SEE SEPARATE PARTS LIST

**2** RELIEF ON MOUNTING SURFACE REQUIRED FOR COMPONENT CLEARANCE.

1. LO, RF, AND IF TRACES ARE .02[0.5] WIDE SOLDER-COATED COPPER SUITABLE FOR SOLDER ATTACH.

NOTES: (UNLESS OTHERWISE SPECIFIED)

UNLESS OTHERWISE SPECIFIED DIMENSIONS ARE IN INCHES TOLERANCES ARE:  
 FRACTIONS DECIMALS ANGLES  
 ± .005 ± .005 ± .005

		CONTRACT NO.		 2144 Franklin Drive N.E. Palm Bay, Florida 32905				
		APPROVALS	DATE					
		MATERIAL	DRAWN <b>V. TRINH</b>	11/3/99	<b>OUTLINE, MS3BL</b>			
		FINISH	CHECKED <b>P. YAW</b>	11/5/99				
NEXT ASSY.	USED ON				SIZE <b>B</b>	CAGE NO.	DWG NO. <b>4000480</b>	REV. <b>A</b>
APPLICATIONS		DO NOT SCALE DRAWING	Q.A.		SCALE 4/1		SHEET 1 OF 1	