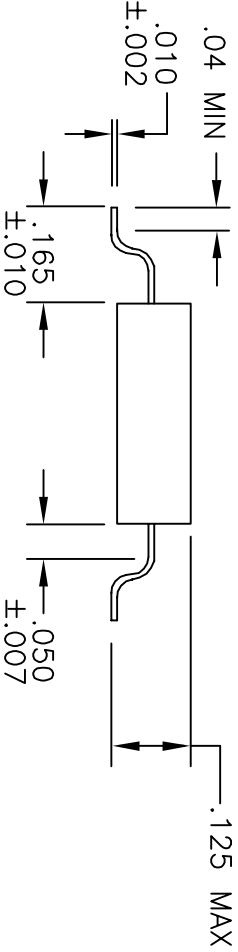
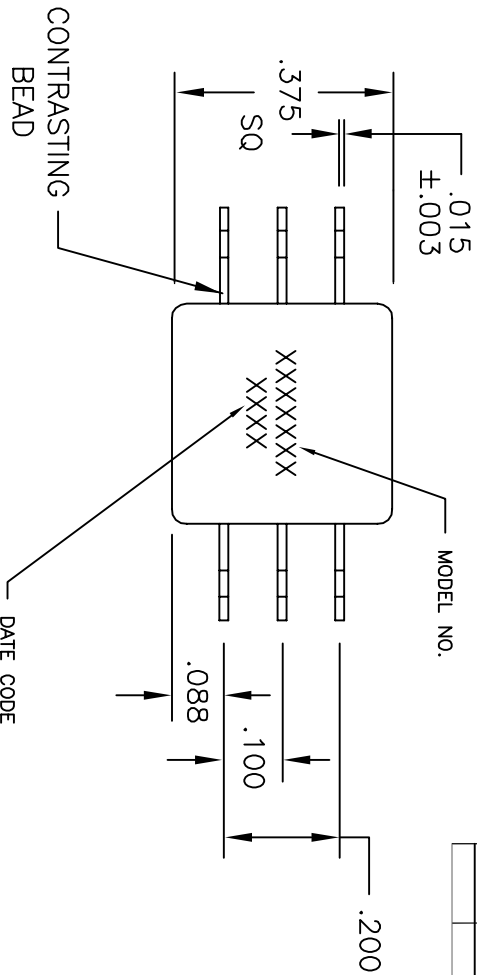


OTL2920XXXX

REVISIONS

LTR	DESCRIPTION	DATE	APPROVED
---	ECN 11XXX, RELEASE	9/11/02	



**CAUTION**  
 THIS ASSEMBLY CONTAINS PARTS SENSITIVE TO DAMAGE BY ELECTRO-STATIC DISCHARGE (ESD). USE ESD PRECAUTIONARY PROCEDURES WHEN TOUCHING, REMOVING OR INSERTING.



OUTLINE DRAWING  
 SG-1

MATERIAL:	DRAWN	DATE	
	ADAM SIDLE	8/27/02	
FINISH	CHECKED	DATE	
NONE	ENGINEERING	DATE	
DIMENSIONS: INCHES	MANUFACTURING	DATE	
TOLERANCE	QUALITY	DATE	
DEC. .00X +/- .01	CODE IDENT NO.	60979	OTL 2920XXXX
MFG. X DEG	K:\ENGINEER\AQLT\MV\OLT\SG1		SHT 1 OF 1