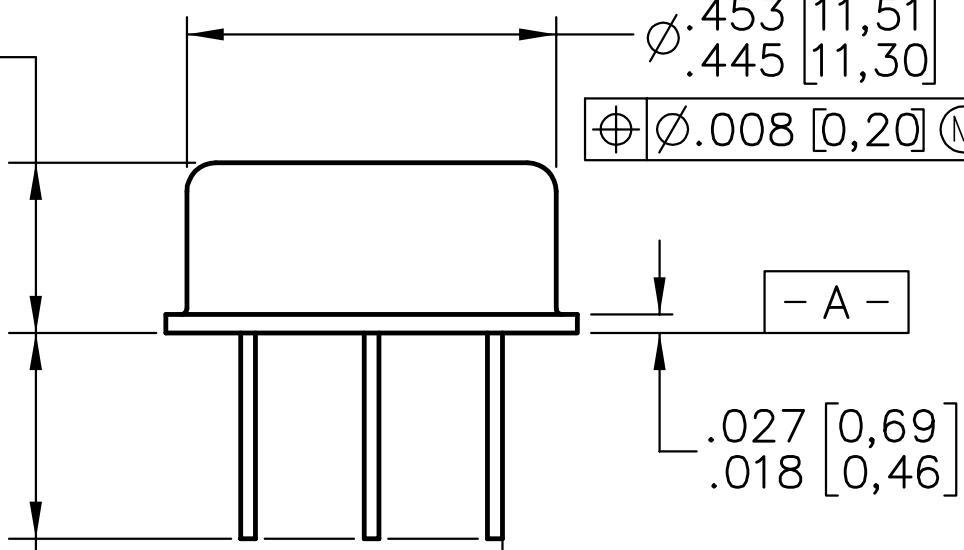


.206 [5,23]
.190 [4,83]

∅.453 [11,51]
∅.445 [11,30]

⊕ ∅.008 [0,20] (M) B (M)



- A -

.027 [0,69]
.018 [0,46]

.280 [7,11]
.220 [5,59]

4X ⊥ ∅.016 A

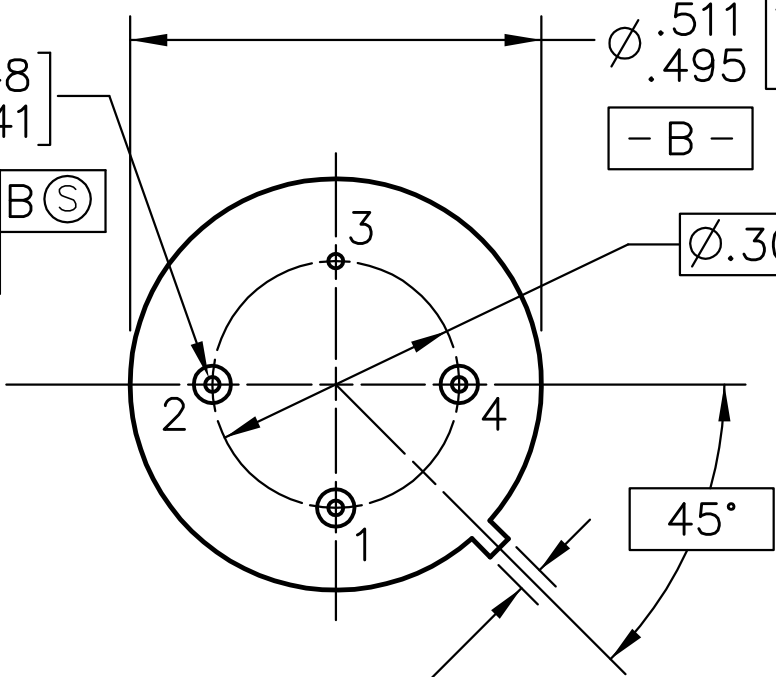
4X ∅.019 [0,48]
∅.016 [0,41]

⊕	∅.005 [0,13] (M) A B (S)
	∅.001 [0,03] (M) A

∅.511 [12,98]
∅.495 [12,57]

- B -

∅.300 [7,62]



45°

□.036 [0,91]
□.026 [0,66]

⊕ .004 [0,10] (M) A B (M)

- PIN CONFIGURATION**
- 1 - +DC VOLTAGE
 - 2 - 50 OHM INPUT
 - 3 - COMMON
 - 4 - 50 OHM OUTPUT

SPECTRUM MICROWAVE, INC

SIZE CAGE CODE DWG NO.

A 55027

080-10114-0001

TITLE
OUTLINE DRAWING
LOW PROFILE TO-8

SCALE: REV H SHEET 3 OF 3