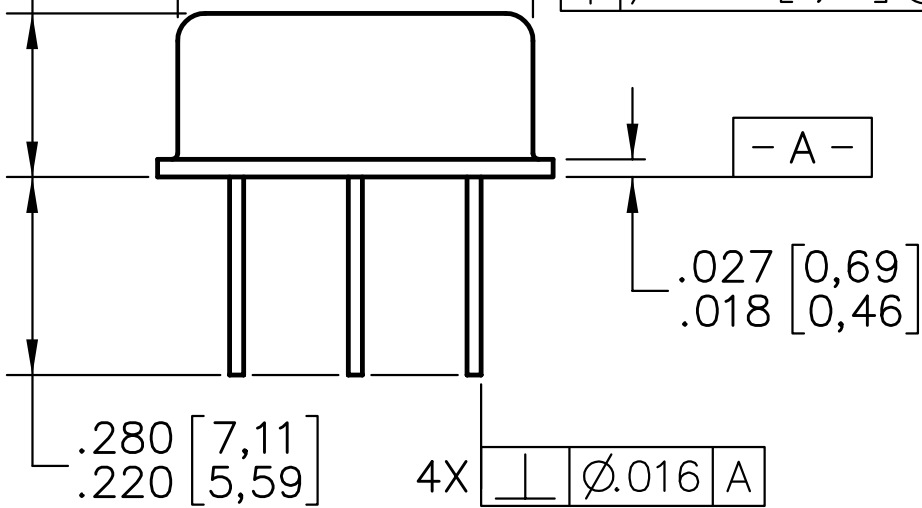


.266 [6,76]  
.253 [6,43]

∅.453 [11,51]  
∅.445 [11,30]

⊕ ∅.008 [0,20] (M) B (M)

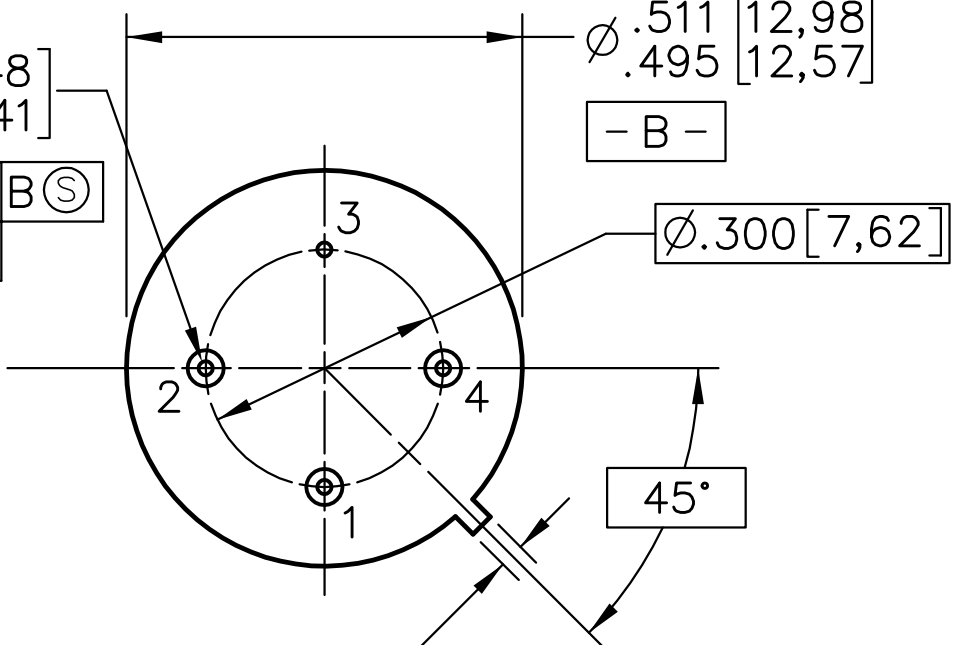


4X ∅.019 [0,48]  
∅.016 [0,41]

∅.511 [12,98]  
∅.495 [12,57]

- B -

⊕ ∅.005 [0,13] (M) A B (S)  
∅.001 [0,03] (M) A



**PIN CONFIGURATION**  
1 - +DC VOLTAGE  
2 - 50 OHM INPUT  
3 - COMMON  
4 - 50 OHM OUTPUT

⊕ .004 [0,10] (M) A B (M)

<b>SPECTRUM MICROWAVE, INC</b> TITLE OUTLINE DRAWING STANDARD TO-8	SIZE <b>A</b>	CAGE CODE <b>55027</b>	DWG NO. <b>080-22502-0001</b>
	SCALE:	REV <b>K</b>	SHEET <b>3 OF 3</b>