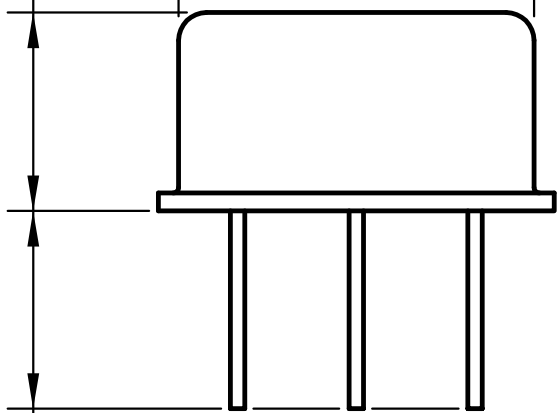


.316 [8,03]  
.303 [7,70]

∅.457 [11,61]  
∅.445 [11,30]

⊕ ∅.008 [0,20] (M) B (M)



- A -

.027 [0,69]  
.018 [0,46]

.280 [7,11]  
.220 [5,59]

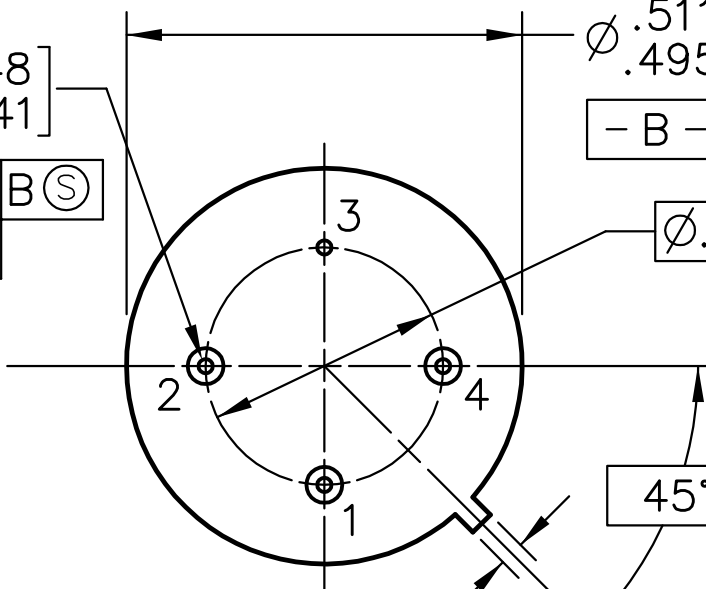
4X ∅ .019 [0,48]  
∅ .016 [0,41]

∅.511 [12,98]  
∅.495 [12,57]

- B -

⊕	∅.005 [0,13] (M)	A	B (S)
	∅.001 [0,03] (M)	A	

∅.300 [7,62]



45°

∅.036 [0,91]  
∅.026 [0,66]

⊕ ∅.004 [0,10] (M) A B (M)

PIN CONFIGURATION

- 1 - +DC VOLTAGE
- 2 - 50 OHM INPUT
- 3 - COMMON
- 4 - 50 OHM OUTPUT

**SPECTRUM MICROWAVE, INC**

SIZE

CAGE CODE

DWG NO.

A

55027

080-22512-0001

TITLE

OUTLINE DRAWING  
TALL TO-8

SCALE:

↻

REV

D.2

SHEET

3

OF

3