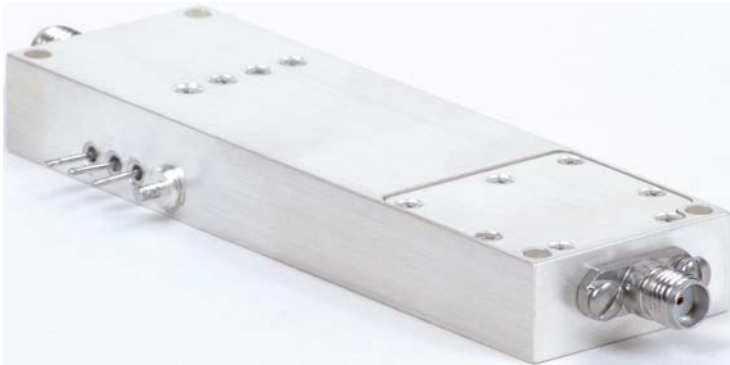


Switched Filter Banks

RF/ IF Pre-selectors to 18 GHz



(Passbands 1 - 2000 MHz; Stopband to 18 GHz)

Description

Spectrum Microwave's 310-020226-001 filter-banks provide two selectable RF filter channels over a wide range of frequencies with ultimate rejections requirements out to 18 GHz.

Two individual channels can be customized over a wide range of frequencies, typically 1 MHz to 2000 MHz. Channels 1 and 2 are miniature Lumped Element Bandpass Filters. This relatively small filterbank provides excellent Passband performance while suppressing ultimate rejections by >50 dB out to 18 GHz.

The filter bank is powered by +5V DC applied to an external bias pin mounted on the side of the unit. A grounding terminal is also provided. One control pin provides TTL selection of the desired operating channel. The unit is bi-directional with SMA field removable connectors.

Dimensions and Connections

3.50" L x 1.10" W x 0.45" H excluding SMA connectors and control pins.

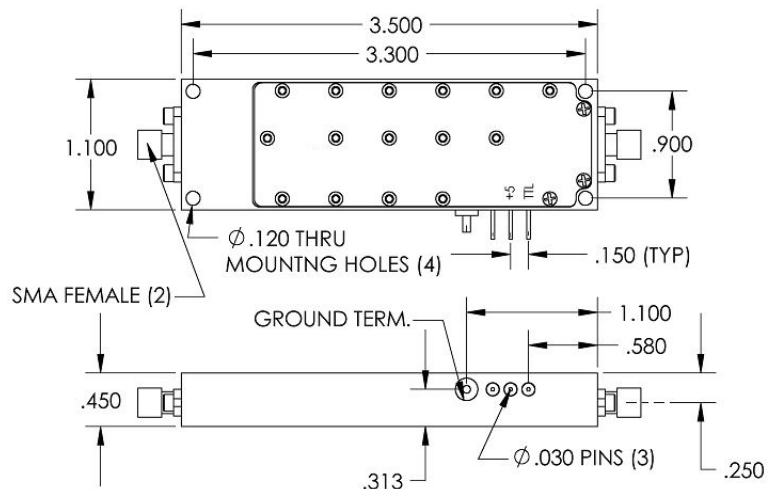
The chassis is machined aluminum with a silver plate finish. Control pins are .030" dia.

Features

- 50 dB Ultimate Rejections to 18 GHz
- Low Insertion Loss: 2.7 dB
- High Speed: 160 nSec
- Low Video Feed-thru: 1.5 mV

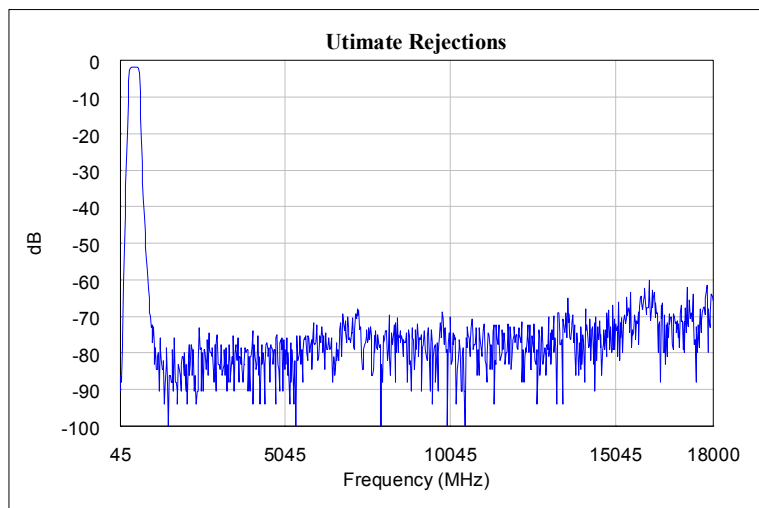
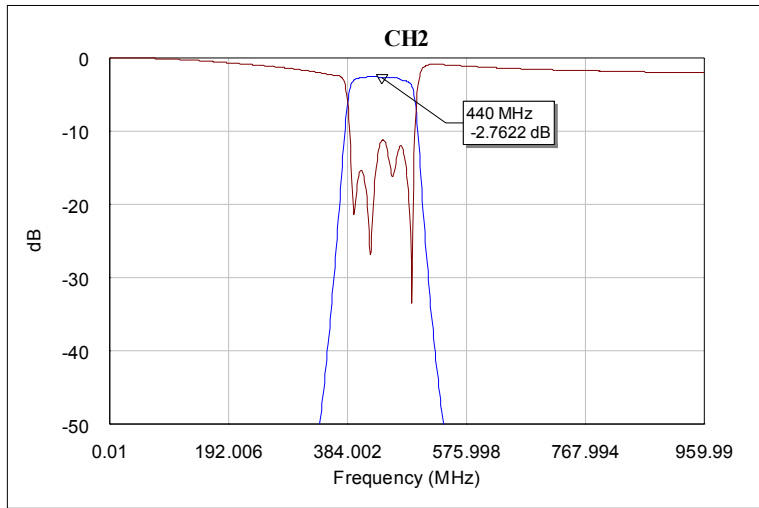
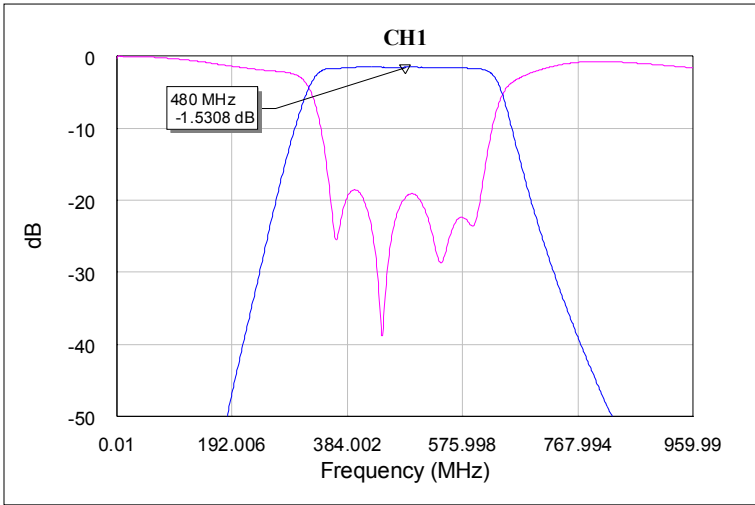
Typical Specifications

Frequency.....	330 – 630 MHz (CH1) 390 – 490 MHz (CH2)
Switching Speed.....	160 nSec ON 104 nSec OFF
Input 1 dB Comp.....	15 dBm
IP2.....	73 dBm
IP3.....	39 dBm
VSWR.....	1.8:1 Max
Insertion Loss.....	2.7 dB
Switching Type.....	TTL
DC Power.....	5V @ 1.5 mA
Temp Range.....	-40°C to +85°C
All specifications above measured at 25°C	

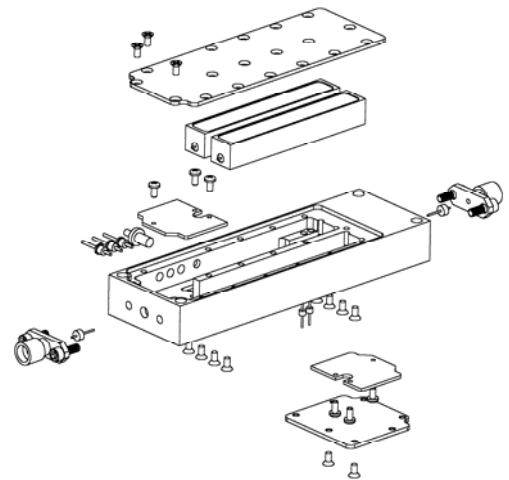


Switched Filter Banks RF/ IF Preselector to 18 GHz

(Passbands 1 - 2000 MHz; Stopband to 18 GHz)



Exploded View



S-Parameters for this model are available for download on our website.