

SPST RF SWITCH

MODEL TWP2231

Available in:
0.82" x 0.49" 14 Pin Flatpack
and Connectorized Housings

Features

- 5 - 2000 MHz
- Fast Switching Speed: 30 ns Typical (GaAs)
- Integral TTL Driver
- OperatingTemp. -55 °C to + 85 °C
- Screening to the tables of MIL-STD-883 available

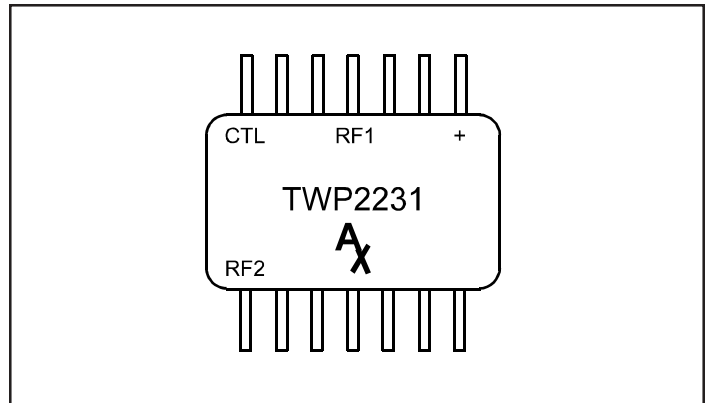
Maximum Ratings

Ambient Operating Temperature -55°C to +100 °C
Storage Temperature -65°C to +125 °C
Case Temperature +125 °C
DC Voltage +7.0 Volts
Continuous RF Input Power +30 dBm

Specifications

CHARACTERISTIC	TYPICAL Ta = 25 °C	MIN/MAX Ta = -55 °C to +85 °C
Frequency	5 - 300 MHz	5 - 3000 MHz
Insertion Loss (dB)	1.5	2.5 Max.
Isolation (dB)	40	30 Min.
VSWR	1.75:1	2.3:1 Max.
Dc Vdc	+5.0	+5.0
Blas mA	0.01	0.05 Max.
Switching Speed (ns)	30	30 Max.
Transients (mV)	80	---
1dB Compression (dBm)		
0.05 GHz	+16	---
0.5 - 2 GHz	+27	---
Intercept Points (dBm)	IP ₂ IP ₃	
0.05 GHz	+45 +37	
0.5 - 2 GHz	+65 +42	---

Pin Layout

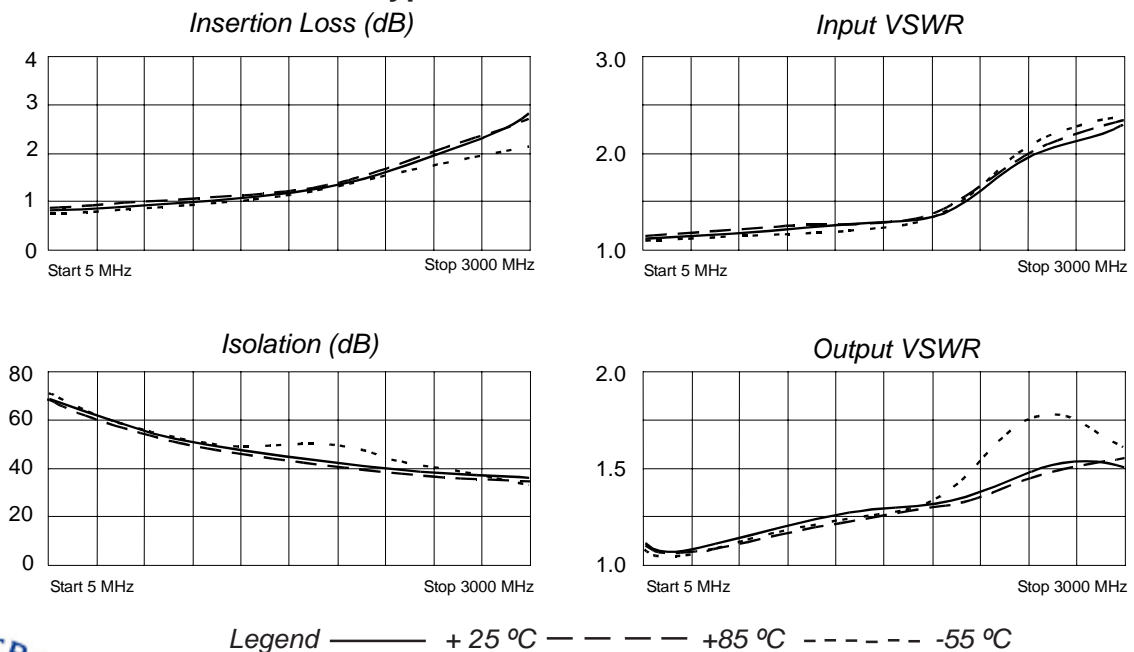


Truth Table

Control Input	Switch Condition	
	RF Common to RF Throw	
TTL	RF1	RF2
0	ON	OFF
1	OFF	ON

Note: Care should always be taken to effectively ground the case of each unit.

Typical Performance Data



Spectrum Microwave · 2144 Franklin Drive N.E. · Palm Bay, Florida 32905 · PH (888) 553-7531 · Fax (888) 553-7532

Rev. 3/28/08

www.SpectrumMicrowave.com Spectrum Microwave · 2707 Black Lake Place · Philadelphia, Pennsylvania 19154 · PH (215) 464-4000 · Fax (215) 464-4001