

# SPDT RF SWITCH

## MODEL TWP2233

Available in:  
0.82" x 0.49" 14 Pin Flatpack  
and Connectorized Housings

### Features

- 5 - 2000 MHz
- Fast Switching Speed: 30 ns Typical (GaAs)
- Integral TTL Driver
- OperatingTemp. -55 °C to + 85 °C
- Screening to the tables of MIL-STD-883 available

### Specifications

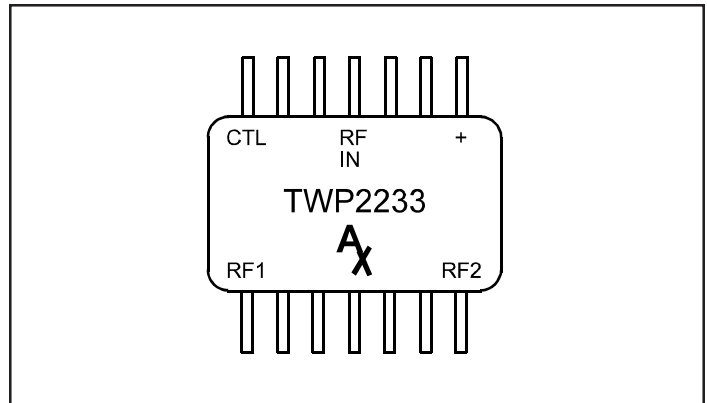
CHARACTERISTIC	TYPICAL Ta = 25 °C	MIN/MAX Ta = -55 °C to +85 °C
Frequency	5 - 2000 MHz	5 - 2000 MHz
Insertion Loss (dB)	1.5	2.0 Max.
Isolation (dB)	43	40 Min.
VSWR	1.25:1	1.75:1 Max.
Dc Vdc	+5.0	+5.0
Blas mA	0.01	0.05 Max.
Switching Speed (ns)	30	35 Max.
Transients (mV)	100	---
1dB Compression (dBm)		
0.05 GHz	+15	---
0.5 - 2 GHz	+25	---
Intercept Points (dBm)		
0.05 GHz	IP2 +40 IP3 +30	---
0.5 - 2 GHz	+65 +42	---

**Note:** Care should always be taken to effectively ground the case

### Maximum Ratings

Ambient Operating Temperature ..... -55°C to +100 °C  
Storage Temperature ..... -65°C to +125 °C  
Case Temperature ..... +125 °C  
DC Voltage ..... +7.0 Volts  
Continuous RF Input Power ..... +30 dBm

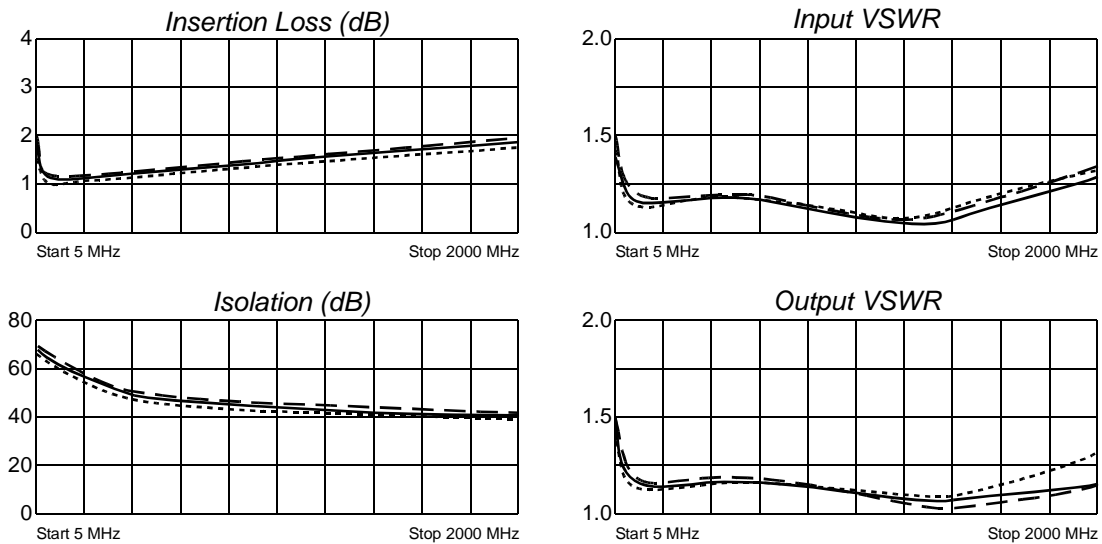
### Pin Layout



### Truth Table

Control Input	Switch Condition	
TTL	RF Common to RF Throw	
	RF1	RF2
0	ON	OFF
1	OFF	ON

### Typical Performance Data



Legend ——— + 25 °C - - - - +85 °C . . . . . -55 °C



Spectrum Microwave · 2144 Franklin Drive N.E. · Palm Bay, Florida 32905 · PH (888) 553-7531 · Fax (888) 553-7532

Rev. 3/28/08

www.SpectrumMicrowave.com Spectrum Microwave · 2707 Black Lake Place · Philadelphia, Pennsylvania 19154 · PH (215) 464-4000 · Fax (215) 464-4001